



R
SERIES

R-EVOLUTION SERIES

R-Series is built to outperform conventional solutions and sets the new standard in self-loading concrete mixer industry. Advanced engineering and distinctive design set R-series apart from other mixers. A host of hidden technologies and an unparalleled productivity make R-series unique.



R40
revolution



R30
revolution

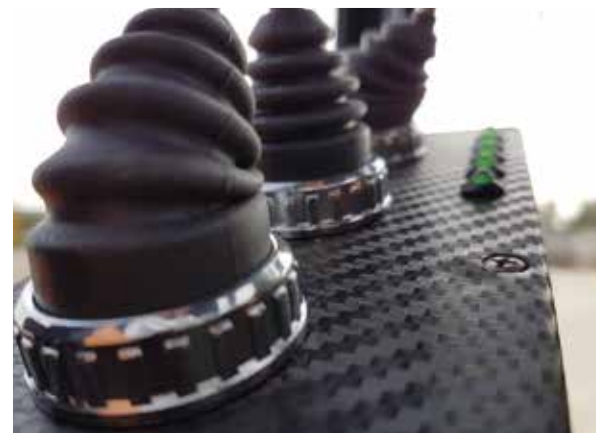
Unleash the Spirit of Excellence

360°
CASTING



FINEST DETAILING

R30 is studied down to the last detail. Fiber glass and carbon fiber dress the mixer's frame structure. Muscular design makes R30 never ordinary.



VISIBILITY AND SAFETY: ENGINEERED TO PERFECTION

R-series is unique in the world. Cab and slewing frame form one single body thus fostering full control during concrete casting process. 315° continuous rotation makes R-series unbeatable visibility, productivity and safety-wise.



BUILT-IN INTELLIGENCE

R-series is engineered with cutting-edge technology. The steering wheel built-in monitor displays all operating parameters. Weighing system (DAS plus - DMD) and remote diagnostic (DRA) modules are available and integrated. Furthermore the new cockpit manages and displays multilingual unit's manuals (i.e. operation, service, parts).

1



R-SERIES

PLUS DISTINCTIVE FEATURES

1



ERGONOMICS: EXTRA-ORDINARY OPERATORS' INTERFACE

R-series ergonomics is exclusive. Joystick and control panels positioning is designed according to most up-to-date practices. A complete production cycle can be carried out while got comfortable in the cabin.



UNPARALLELED COMPACTNESS

R30 is agile and potent. Its 2.26 mt width and 40% full-load gradeability place R30 at the top step in the medium segment. Turning encumbrance has been cut down to 1.7 mt. R30 easily fits into a 40"HC container.

ENHANCED MAINTAINABILITY

R30 powertrain compartment is designed to foster ordinary and extra-ordinary maintenance. The powertrain and relevant ECUs are easily accessible on three sides under a reinforced fiberglass engine hood. Engine and pumps height allow ergonomic machine service.



NET OUTPUT (SLUMP ≤ 40MM)	3 m ³ - 3.9 yd ³
HOURLY PRODUCTIVITY	12 m ³ - 15.6 yd ³
STAGE IIIA TIER 3 DIESEL ENGINE	PERKINS 1104 D-44TA 74.5 Kw (100 Hp)
STAGE IIIB TIER 4i DIESEL ENGINE	DEUTZ TCD3.6 L04 74.4 Kw (100 Hp)
MAX SPEED	40km/h - 24.8 mph
CASTING ANGLE	360°

R-30
revolution



RUGGED, BOLD, PLANTED AT ALL TIMES

R40 is a tough machine. The new high pressure range hydrostatic transmission boosts the machine's performances to the highest level. At the same time smooth power modulation is got by the exclusive inching system. Machine's wheelbase and track design make R40 perfectly suited for the toughest conditions.

BEST IN CLASS CAPACITY AND MANEUVRABILITY

R40 is a robust piece of equipment. Its optimized capacity drum mixes 4.5 m3 per batch thus giving R40 the productivity record in its segment. Maneuverability and compactness are preserved despite higher capacity. As a matter of fact R40 transfer mode width is better than smaller sizes competitor brands. Finally, R40 excels in the segment with its 40% full load gradeability.



NET OUTPUT (SLUMP \leq 40MM)	4,5 m ³ - 5,9 yd ³
HOURLY PRODUCTIVITY	18 m ³ - 23.6 yd ³
STAGE IIIA TIER 3 DIESEL ENGINE	PERKINS 1104 D-44TA 83 Kw (113 Hp)
STAGE IIIB TIER 4i DIESEL ENGINE	DEUTZ TCD3.6 L04 90 Kw (122 Hp)
MAX SPEED	35km/h - 22 mph
CASTING ANGLE	360°

R40
revolution





D'AVINO

I - 80034 Brusciano (Na)
Via Padula, 102

Tel. +39 081 6588361
Fax +39 081 8863398

sales@davinogroup.com
www.davinomixer.com



Unione Industriale
Napoli

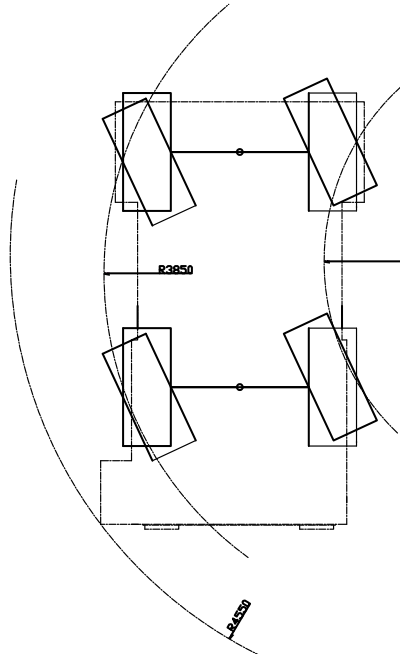
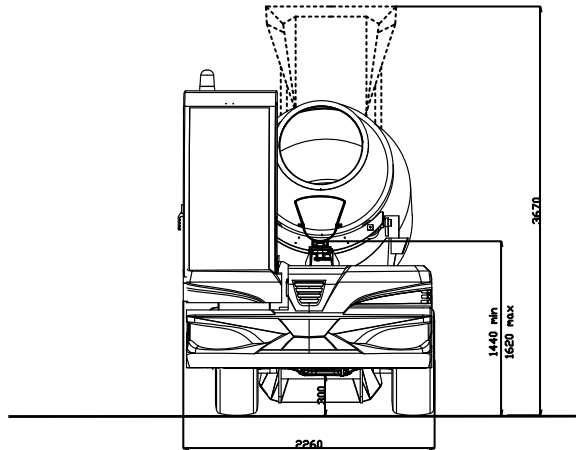
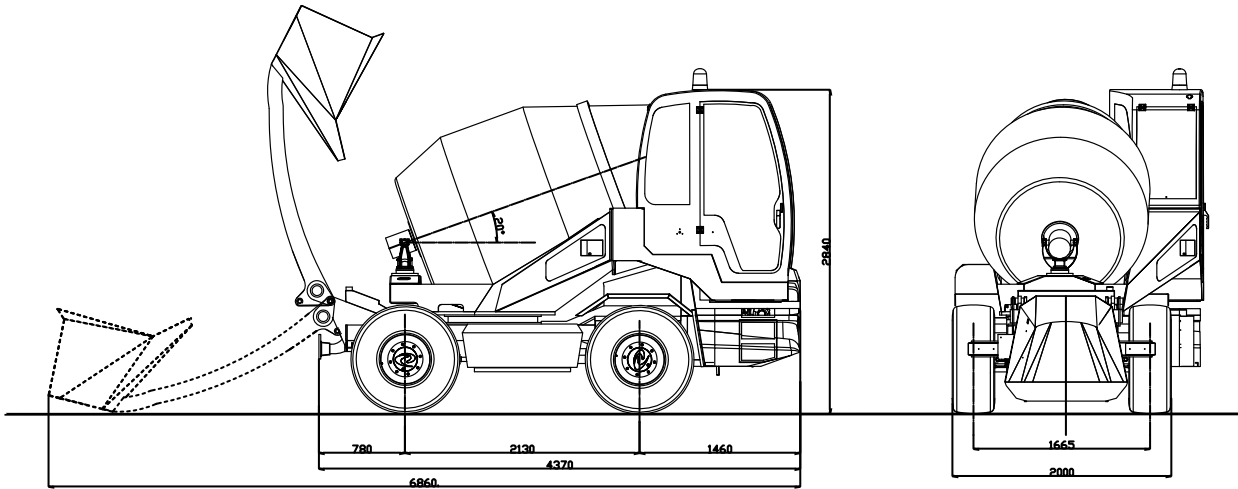
ISO 9001
UREAU VERITAS
certification



REVOLUTION R30



DATI TECNICI
TECHNICAL DATA
DONNÉES TECHNIQUES
DATOS TECNICOS
ТЕХНИЧЕСКИЕ ДАННЫЕ



REVOLUTION R30

DESCRIZIONE (UNI 10929:2011) Betoniera semovente autocaricante - Calcestruzzo reso 3,0 m³ (classe S1) - Verso di caricamento anteriore - Verso di scarico girevole su 270° - N.4 ruote motrici e sterzanti - Caricamento mediante pala rigida - Cabina solidale al tamburo e girevole su 270°

MOTORE

Perkins tipo 1104D-44T – Diesel 4 tempi – N.4 cilindri in linea - Turbo - Controllo meccanico a iniezione diretta - Potenza max 74,5 kW (101 hp) a 2.300 giri/min - Coppia max 392 Nm a 1.400 giri/min - Raffreddamento ad acqua - Filtrazione aria a secco - Conformità EU STAGE IIIA/USA EPA Tier 3

DEUTZ tipo TCD3.6L04 – Diesel 4 tempi – N.4 cilindri in linea - Turbo Aftercooled - Controllo Elettronico – Common rail - Potenza max 74,4 kW (101 hp) a 2.300 giri/min - Coppia max 410 Nm a 1.600 giri/min - Raffreddamento ad acqua - Filtrazione aria a secco - Conformità EU STAGE IIIB/USA EPA Tier 4i

TRASMISSIONE Integrale 4x4 - N.4 marce avanti/indietro (2 meccaniche + 2 idrauliche) - Velocità massima 40 km/h - Pendenza max superabile a pieno carico 50% - Trasmissione idrostatica “Automotive”, con pompa a cilindrata variabile e motore a cilindrata variabile a due posizioni, con comando elettroidraulico a leva per selezione marcia “lenta”, marcia “veloce” ed inversione di marcia - Riduttore meccanico a due rapporti con comando elettroidraulico a leva per selezione marcia di “lavoro” e marcia di “trasferimento” - Comando Inching

ASSALI Entrambi portanti, sterzanti e con riduttori epicicloidali finali - Anteriore oscillante con escursione di $\pm 8^\circ$ - Posteriore fisso con riduttore flangiato

FRENI Freno di servizio idraulico, a dischi multipli in bagno d'olio, agente su entrambi gli assali, alimentato da pompa doppia servocomandata - Freno di stazionamento idraulico, a dischi multipli in bagno d'olio agente sull'assale posteriore, con comando idraulico con cilindro negativo - Freno di soccorso conglobato nel freno di servizio

STERZO Idrostatico alimentato da pompa indipendente - Quattro ruote sterzanti mediante due cilindri di sterzo doppi - Dispositivo idraulico di selezione di tre tipi di sterzata con comando elettroidraulico al posto guida per due ruote sterzanti, quattro ruote sterzanti a volta corretta, 4 ruote sterzanti a “granchio”

TELAIO In acciaio ad alta resistenza elettrosaldato - Controtelaio montato su ralla a sfere, con rotazione idraulica su 270° mediante motoriduttore - Comando idraulico del sollevamento del tamburo mediante cilindro a doppio effetto - Tramoggia di grande capacità - Canala di scarico ad inclinazione idraulica mediante cilindro a doppio effetto comandato sia dal posto guida che da terra e rotazione idraulica mediante cilindro a doppio effetto comandato dal posto guida

TAMBURO Con grandi eliche d'impasto a doppia spirale, doppio cono e fondo convesso - Passo d'uomo per ispezione e scarico d'emergenza - Rotazione tamburo mediante trasmissione idrostatica con pompa a cilindrata variabile e Motore orbitale in blocco al riduttore - Comando elettroidraulico infinitesimale al posto di guida e da terra - Volume geometrico del tamburo 3.700 l - Calcestruzzo reso max 3,0 m³ (classe S1) - Velocità

27 giri/min - Brandeggio tamburo a 270° - Cilindro idraulico di sollevamento del tamburo a doppio effetto per scarico rapido

PALA DI CARICO Braccio di caricamento con pala fissa ad alta inclinazione per uno scarico rapido senza sollecitazioni del materiale inerte anche compatto, azionato da due cilindri idraulici a doppio effetto - Capacità della pala 500 l circa - Comando monoleva - Produttività max 12 m³/ora

POSTO DI GUIDA Solidale al telaio girevole, con possibilità di rotazione su 270° permettendo l'ottimale visibilità sia in fase di trasferimento che di lavoro - Sedile anatomico con sospensione elastica e cintura di sicurezza - Bracciolo portamanipolatore destro snodabile con appoggia gomito regolabile in altezza e inclinabile - Colonna di sterzo in ABS termoformato con display elettronico e strumentazione di controllo di facile accesso ed agevole lettura - Cabina chiusa con tergitristallo elettrico su vetro anteriore

IMPIANTO IDRAULICO Distributore idraulico servocomandato 6 elementi - Distributore idraulico a comando elettrico 3 elementi - Pompa a pistoni a cilindrata variabile da l/min 37@1.000' per la rotazione del tamburo - Pompa ad ingranaggi da l/min 20@1.000' per i servizi - Pompa ad ingranaggi da l/min 14@1.000' per il servosterzo ed il servofreno - Filtro idraulico da 16 μ m - Scambiatore in alluminio elettroventilato

IMPIANTO ACQUA Con pompa volumetrica autoadescante ad aspirazione rapida azionata da motorino idraulico con comando sia da posto guida che da terra - Portata 230 l/min - Prevalenza max 3,0 bar - Serbatoio acqua con capacità di circa 350 l - Due deviatori a tre vie a comando elettroidraulico e valvola a sfera collegata direttamente alla lancia di lavaggio - Attacco e stacco rapido della tubazione di pescaggio - Contaltri elettronico

IMPIANTO ELETTRICO Motorino di avviamento 12 V - 3 kW - Alternatore con regolatore incorporato 12 V - 95 A - Batteria 12 V/110 Ah (spunto 900A)

COMANDI DA TERRA Disponibilità anche da terra di contaltri dell'acqua e di comandi per azionamento pompa dell'acqua, rotazione tamburo, sollevamento/abbassamento canalina di scarico e stop d'emergenza

RIFORNIMENTI

Gasolio (capacità serbatoio)	125 l
Olio idraulico (capacità serbatoio)	115 l
Olio motore	9,5 l
Liquido refrigerante motore	7,0 l

PNEUMATICI Std 12.5/80-18 16 PR

DIMENSIONI 2.260x6.850x2.840 mm (con benna a terra)

PESO In ordine di marcia 5.960 kg

OMOLOGAZIONE Stradale a pieno carico

REVOLUTION R30

DESCRIPTION (UNI 10929:2011) Self-loading concrete mixer - Concrete net output : 3,0 m³ (class S1) - Front loading - Slewing unload 270° - N.4 wheel steering/drive – Loading by rigid bucket - Cab welded to the rotating drum and slewing at 270°

ENGINE

Perkins 1104D-44T, Diesel 4 stroke – N. 4 cylinder in line – Turbo – Mechanical control direct injection – Max. Power 74,5 kW (101 hp) a 2.300 RPM – Max torque 392 Nm a 1.400 RPM - Water Cooled – Dry Air Filter – Conformity USA EPA Tier 3/EU Stage IIIA

DEUTZ TCD3.6L04 – Diesel 4 stroke – N.4 cylinder in line - Turbo Aftercooled – Electronic Control – Common rail – Max. Power 74,4 kW (101 hp) a 2.300 RPM – Max. torque 410 Nm a 1.600 RPM – Water cooled – Dry air filter – Conformity EU STAGE IIIB/USA EPA Tier 4i

TRANSMISSION 4x4 full wheel drive, N. 4 gears forward/reverse (2 hydraulic, 2 mechanic) - Max speed 40 Km/H – Max slope full loaded 50% - Hydrostatic “automotive” transmission with variable displacement pump and variable displacement hydraulic motor controlled by an electro-hydraulic lever for “slow”/“fast” gear and reverse movement selection - Mechanical gearbox for “work” and “transfer” gear with electro-hydraulic control lever – Inching Command

AXLES Both load-bearing and steering with final epicyclic gearing reducers – Oscillating front axle ± 8°- Fixed rear axle with flanged reducer.

BRAKES Inner in oil disc hydraulic service brake acts on both axles, activated by a dual circuit independent pump – Inner in oil bath disc parking brake acts directly on rear axle with hydraulic command and negative cylinder – Emergency brake integrated directly on service brake.

STEERING Hydrostatic fed by an independent pump - Four wheel steering by means of 2 double action cylinders - Steering selector device on operator's console for: front wheel drive/ 4 wheel bi-lateral drive/ 4 wheel parallel drive (crab mode)

FRAME Electrically welded high-tempered steel – Frame mounted on roller bearing swivel ring with 270° hydraulic rotation through gear-motor – Hydraulic drum lifting control through double-acting cylinder - High capacity hopper – Unloading chute with hydraulic tilt and dual action cylinder controlled from operator's turret or from the ground -Hydraulic rotation by dual action cylinder controlled from operator's turret.

DRUM with big double spiral mixing blades, double cone and convex bottom - Emergency manhole for inspection or emergency unloading - Drum rotation through hydrostatic transmission with variable displacement pump and orbital motor coupled to gearbox with infinitesimal electro-hydraulic control both from the operator's turret and from the ground - Geometric volume 3700 l - Max concrete yield 3,0 m³ (S1 class) – Drum speed 27 RPM – Drum flexible to 270°– Double-acting hydraulic lifting cylinder for easy and quick discharge.

BUCKET Rigid high inclined bucket for fast and hassle free aggregates discharge positioned on a loading arm driven by 2 double-acting hydraulic cylinders – Capacity 500 l - Single lever control –12 m³/hour productivity

OPERATOR'S TURRET Welded to the rotating frame, slewing at 270°, allows perfect visibility in transfer and work phases - Anatomical seat with flexible suspension and height adjustment, seat belts – Adjustable articulated armrest with joystick – Large high visibility windshield with electric wiper – Steering column in ABS with electronic display and ergonomic user friendly dashboard and control panels – 4-side closed ROPS FOBS cabin

HYDRAULIC SYSTEM 6 elements servo controlled hydraulic distributor – 3 elements electrically controlled hydraulic distributor – Piston variable displacement pump l/min 37@ 1000' for drum rotation – Gear pump l/min 20@ 1000' for utilities - Gear pump l/min 14@1000' for steering and breaks - 16 µm hydraulic oil filter - Aluminum heat exchangers

WATER SYSTEM Self-priming volumetric water pump with quick-suction activated by hydraulic motor controlled both from the driver's seat and from the ground – Flow rate 230 l/min - Max pressure 3,0 bar – Water tank total capacity approx. 350 l – Two diverter three way electro-hydraulic controlled and ball valve connected directly to the washing nozzle – Quick-coupling water intake hoses with filter – Electronic water meter

ELECTRICAL SYSTEM Starter 12V 3 kW - Alternator 12V 95A with regulator incorporated - Battery 12V 110Ah (900A)

GROUND COMMANDS Water meter and water pump commands, drum rotation, chute up/down commands, emergency stop

SERVICE REFILL CAPACITIES

Fuel tank	125 l
Hydraulic oil tank	150 l
Engine oil	9,5 l
Engine coolant	7,0 l

TIRES Std 12.5/80-18 16 PR

DIMENSIONS 2.260 x 6.850 x 2.840 mm (bucket down)

WEIGHT 5.960 kg

MEETS CEE road standards

REVOLUTION R30

DESCRIPTION (UNI 10929:2011) Bétonnière automotrice autochargeante – Béton rendu 3,0 m³ (classe S1) – Sens du chargement : antérieur – Sens du déchargement : pivotant à 270° - N.4 roues motrices et directrices - Chargement par l'intermédiaire d'un godet rigide - Cabine soudée au tambour ; groupe pivotant à 270°

MOTEUR

Perkins type 1104D-44T – Diesel 4 temps – N.4 cylindres en ligne - Turbo – Contrôle mécanique à injection directe - Puissance max 74,5 kW (101 hp) à 2.300 tours/min - Couple max 392 Nm à 1.400 tours/min – Refroidissement à eau – Filtration air à sec - Conformité EU STAGE IIIA/USA EPA Tier 3

DEUTZ type TCD3.6L04 – Diesel 4 temps – N.4 cylindres en ligne - Turbo Aftercooled - Contrôle Electronique – Common rail - Puissance max 74,4 kW (101 hp) à 2.300 tours/min - Couple max 410 Nm à 1.600 tours/min – Refroidissement à eau – Filtration air à sec - Conformité EU STAGE IIIB/ USA EPA Tier 4

TRANSMISSION Intégrale 4x4 - N.4 vitesses avant/arrière (2 mécaniques + 2 hydrauliques) - Vitesse maximale 40 km/h – Pente max franchissable à plein charge : 50% - Transmission hydrostatique "Automotive", avec pompe à cylindrée variable à deux positions, avec commande électro-hydraulique à levier pour sélection vitesse "lente" , vitesse "rapide" et inversion du sens de la marche – Réducteur mécanique à deux rapports avec commande électro-hydraulique à levier pour sélection vitesse de « travail » et vitesse de « transfert » - Commande Inching

ESSIEUX tous deux porteurs, directeurs et munis de réducteurs épicycloïdaux finaux -
- Antérieur oscillant avec excursion ± 8° - Postérieur fixe avec réducteur bridé

FREINS Frein de service hydraulique, à disques multiples en bain d'huile, agissant sur les deux essieux, alimenté par une pompe double servocommandée – Frein de stationnement hydraulique, à disques multiples en bain d'huile agissant sur l'essieu postérieur, avec commande hydraulique avec cylindre négatif – Frein de secours congloméré dans le frein de service

DIRECTION Hydrostatique alimentée par pompe indépendante – N. 4 roues directrices par le biais de deux cylindres de braquage double – Dispositif hydraulique de sélection de trois types de braquage avec commande électrohydraulique au poste de conduite pour deux roues directrices, quatre roues directrices à voûte corrigée, quatre roues « crabe »

CHASSIS en acier à grande résistance, électro-soudé – Pré-cadre monté sur crapaudine à rouleaux, avec rotation hydraulique à 270° par l'intermédiaire d'un motoréducteur – Commande hydraulique du soulèvement du tambour par l'intermédiaire d'un cylindre à double effet – Trémie de grande capacité – Goulotte de déchargement à inclinaison hydraulique par le biais d'un cylindre à double effet commandé aussi bien du poste de conduite que du sol et rotation hydraulique par le biais d'un cylindre à double effet commandé du poste de conduite

TAMBOUR avec grandes hélices de mélange à double spirale, double cône et fond convexe - Trou d'homme pour inspection et déchargement d'urgence - Rotation tambour par transmission hydrostatique avec pompe à cylindrée variable et moteur orbital en bloc au réducteur – Commande électro-hydraulique infinitésimale du poste de conduite ainsi que du sol – Volume géométrique du tambour 3.700 l – Production max de béton de 3,0 m³

(classe S1) - Vitesse 27 tours/min – Basculement tambour à 270° - Cylindre hydraulique de soulèvement du tambour à double effet pour déchargement rapide

GODET Bras de chargement avec pelle fixe à haute inclinaison pour une décharge rapide sans contraintes du matériau interte même compacte, actionné par deux cylindres hydrauliques à double effet – Capacité du godet de 500 l environ – Commande mono-levier – Productivité max 12 m³/heure

POSTE DE CONDUITE Soudé au châssis tournant, avec possibilité de rotation à 270° permettant une visibilité optimale aussi bien en phase de transfert que de travail – Siège anatomique avec suspension élastique et ceinture de sécurité – Accoudoir droit, inclinable, portant les manipulateurs, réglable en hauteur – Tour de direction en ABS thermoformé avec écran électronique et instruments de contrôle d'accès et lecture aisés - Cabine fermée avec essuie-glaces électrique sur la vitre antérieure

CIRCUIT HYDRAULIQUE Distributeur hydraulique servocommandé à 6 éléments – Distributeur hydraulique à commande électrique 3 éléments – Pompe à pistons à cylindrée variable de l/min 37@1.000' pour la rotation du tambour – Pompe à engrenages de l/min 20@1.000' pour les services – Pompe à engrenages de l/min 14@1.000' pour la direction assistée et le frein - Filtre hydraulique de 16 µm – Radiateur en aluminium électroventilé

CIRCUIT EAU Avec pompe volumétrique auto-amorçante à aspiration rapide actionnée par moteur hydraulique avec commande aussi bien du poste de conduite que du sol - Débit 230 l/min - Pression max 3,0 bar – Réservoir de l'eau d'une capacité de 350 l – Deux déviateurs à trois voies à commande électro-hydraulique et clapet à bille directement relié à la lance de lavage – Fixation et décrochage rapide de la tuyauterie à immersion – Compteur de litres électronique

CIRCUIT ELECTRIQUE démarreur 12 V - 3 kW – Alternateur avec régulateur incorporé 12 V –
95 A - Batterie 12 V/110 Ah (spunto 900A)

COMMANDES DU SOL Disponibilité également du sol d'un compteur de litres de l'eau et de commandes pour actionnement de la pompe de l'eau, rotation tambour, soulèvement/abaissement de la goulotte de déchargement et stop d'urgence

RAVITAILLEMENTS

Gasool (capacité réservoir)	125 l
Huile hydraulique (capacité réservoir)	115 l
Huile moteur	9,5 l
Liquide réfrigérant moteur	7,0 l

PNEUS Std 12.5/80-18 16 PR

DIMENSIONS 2.260x6.850x2.840 mm (avec godet au sol)

POIDS 5.960 kg

HOMOLOGATION routière, à pleine charge

REVOLUTION R30

DESCRIPCIÓN (UNI 10929:2011) Autohormigonera autocargante – Hormigón producido 3,0 m³ (tipo S1) – Dirección de carga anterior – Dirección de descarga giratoria a 270° - N.4 ruedas motrices y direccionales – Carga mediante pala rígida – Cabina soldada al tambor y giratoria a 270°

MOTOR

Perkins tipo 1104D-44T – Diesel 4 tiempos – N.4 cilindros en línea - Turbo Aftercooled- Control mecánico de inyección directa – Potencia máx. 74,5 kW (113 hp) a 2.300 r/min – Par máx. 392 Nm a 1.400 r/min - Refrigeración por agua – Filtración de aire seco - Conforme EU STAGE IIIA/USA EPA Tier 3

DEUTZ tipo TCD3.6L04 – Diesel 4 tiempos – N.4 cilindros en línea - Turbo Aftercooled – Control Electrónico – Common rail – Potencia máx. 74,4 kW (101 hp) a 2.300 r/min – Par máx 410 Nm a 1.600 r/min - Refrigeración por agua – Filtración de aire seco - Conforme EU STAGE IIIB/USA EPA Tier 4i

TRANSMISIÓN Integral 4x4 - N.4 marchas adelante/atrás (2 mecánicas + 2 hidráulicas) – Velocidad máx. 40 km/h – Pendiente máx. superable a plena carga 50% - Transmisión hidrostática “Automotive”, con bomba de cilindrada variable y motor de cilindrada variable, con comando electrohidráulico de palanca para seleccionar marcha “lenta”, marcha “rápida” e inversión de marcha – Reductor mecánico de dos relaciones con comando electrohidráulico de palanca para seleccionar marchas de “trabajo” y marcha de “traslado” – Acelerador hidráulico – Comando Inching

EJES Ambos portantes, direccionales y con reductores epicicloidales finales – Delantero oscilante con rango de $\pm 8^\circ$ - Trasero fijo con reductor bridado

FRENOS Freno de servicio hidráulico, de discos múltiples bañados en aceite, actuante sobre ambos ejes, alimentado por una bomba doble servocontrolada – Freno de estacionamiento hidráulico de discos múltiples en baño de aceite actuante sobre el eje trasero, con comando hidráulico y cilindro negativo – Freno de emergencia englobado en el freno de servicio
DIRECCIÓN Hidrostática alimentada por bomba independiente – Cuatro ruedas direccionales a través de dos cilindros de dirección doble - Dispositivo hidráulico de selección de tres tipos de dirección con comando electrohidráulico en el puesto de conducción para 2 ruedas direccionales, 4 ruedas direccionales a la vez y 4 ruedas direccionales “a cangrejo”

BASTIDOR En acero de alta resistencia electrosoldado – Contrabastidor montado sobre rangua esférica con rotación hidráulica de 270° mediante motorreductor – Comando hidráulico de elevación del tambor mediante cilindro de doble efecto – Tolda de gran capacidad – Canaleta de descarga de inclinación hidráulica mediante cilindro hidráulico de doble efecto controlado ya sea desde el asiento de conducción que desde el suelo y rotación hidráulica mediante cilindro de doble efecto comandado desde el puesto de conducción.

TAMBOR Con grandes hélices de amasado de doble espiral, doble cono y fondo convexo – Boca de entrada para inspección y descarga de emergencia – Rotación del tambor mediante transmisión hidrostática con bomba de cilindrada variable y motor orbital en bloque con el reductor – Comando electrohidráulico infinitesimal en el puesto de conducción y desde el suelo – Volumen geométrico del tambor 3.700 l - Máx. hormigón producido 3,0 m³ (tipo S1) – Velocidad 27 r/min – Rotación horizontal del tambor a 270° - Cilindro hidráulico de elevación del tambor de doble efecto para descarga rápida

PALA DE CARGA Brazo de carga con pala fija de alta inclinación para una descarga del material rápida y sin esfuerzo, incluso el material más compacto, accionado por dos cilindros hidráulicos de doble efecto – Capacidad de la pala 500 l aproximadamente – Comando monopalanca – Productividad máx. 12 m³/hora

PUESTO DE CONDUCCIÓN Soldado al chasis giratorio, con posibilidad de rotación de 270° que permite una óptima visibilidad tanto durante la fase de traslado como de trabajo – Asiento anatómico con suspensión elástica y cinturón de seguridad – Apoyabrazos con joystick integrado articulable, regulable en altura e inclinable– Columna de dirección en ABS termoformada con pantalla electrónica e instrumentos de control de fácil acceso y lectura – Cabina cerrada con limpiaparabrisas eléctrico en el vidrio delantero

SISTEMA HIDRÁULICO Con distribuidor hidráulico servocomandado 6 elementos – Con distribuidor hidráulico y comando electrónico 3 elementos – Bomba de pistones de cilindrada variable de l/min 37@1.000' para la rotación del tambor – Bomba de engranaje de l/min 20@1.000' para los servicios – Bomba de engranaje de l/min 14@1.000' para la dirección asistida y el servofreno – Filtro hidráulico de 16 μ m - N.2 radiadores en aluminio electroventilados

SISTEMA DE AGUA Con bomba volumétrica autocebante de aspiración rápida accionada por un motor hidráulico con comando ya sea desde el asiento de conducción que desde el suelo – Caudal 230 l/min. – Prevalencia máx. 3 bar –Depósito de agua con capacidad total de aproximadamente 350 l – Dos desviadores de tres vías y válvula de bola conectada directamente a la boquilla de lavado – Conexión y desconexión rápida de la tubería de absorción – Cuentalitros electrónico

SISTEMA ELÉCTRICO Motor de encendido 12 V - 3 kW – Alternador con regulador incorporado 12 V - 95 A - Batería 12 V/110 Ah (punta máx. 900A)

COMANDOS DESDE EL SUELO Disponibilidad también desde el suelo del cuentalitros del agua y de los comandos para accionamiento de la bomba del agua, rotación del tambor, elevación/descenso canaleta de descarga y parada de emergencia

RECARGAS

Diesel (capacidad tanque) 125 l Aceite hidráulico (capacidad tanque) 115 l Aceite motor 9,5 l Líquido refrigerante motor 7,0 l

NEUMÁTICOS Std 12.5/80-18 16 PR

DIMENSIONES 2.260x6.850x2.840 mm (con cuchara en el suelo)

PESO En movimiento 5.960 kg

HOMOLOGACIÓN En carretera a plena carga

REVOLUTION R30

ОПИСАНИЕ (UNI 10929:2011) Автобетоносмеситель с самозагрузкой - Выход бетона 3,0 м³ (класс S1) – Передняя загрузка - Вращающаяся на 270° платформа обеспечивает круговую выгрузку - 4 ведущих управляемых колеса - Загрузка при помощи цельносварного ковша - Кабина оператора одно целом барабаном с поворотной платформе на 270°.

ДВИГАТЕЛЬ Дизельный Perkins 1104D-44TA - 4-х тактный - 4-х цилиндры в линию –Турбо- Механический прямой впрыск - Максимальная мощность 74,5 КВт (101 л.с.) при 2300 об/мин - Максимальный крутящий момент 392 Nm при 1400 об/мин - Водяное охлаждение - Сухой воздушный фильтр - Соответствующий нормам EU STAGE IIIA/USA EPA Tier 3.

Deutz TCD 3.6 L04 – Дизельный 4-х тактный - 4-х цилиндры в линию -Турбированный, с охладителем наддувочного воздуха – Электронный контроль – Common Rail -- Максимальная мощность 74,4 КВт (101 л.с.) при 2300 об/мин - - Максимальный крутящий момент 410 Nm при 1600 об/мин - Водяное охлаждение - Сухой воздушный фильтр - Соответствующий нормам EU STAGE IIIB/USA EPA Tier 4i.

ТРАНСМИССИЯ Интегральная 4x4 - 4 скорости вперед / назад (2 механические + 2 гидравлические) - Максимальная скорость 40 км/ч - Максимальный преодолеваемый подъем с полной загрузкой 50% - Гидростатическая трансмиссия Automotive с аксиально-поршневым насосом и двухскоростным гидромотором переменного объема - Электрогидравлическое управление для переключения гидравлических скоростей (повышенная/пониженная) и направления движения - Механическая двухскоростная коробка передач с электрогидравлическим управлением для переключения скоростей «Работа» / «Движение по дороге» - Педаль Inch.

МОСТЫ Ведущие, поворотные, с литыми стальными корпусами, полностью разгруженными полуосями и планетарными бортовыми редукторами в ступицах колес - Передний мост качающийся ± 8° - Задний мост фиксированный с редуктором с фланцем..

ТОРМОЗНАЯ СИСТЕМА Мультидисковые гидравлические рабочие тормоза в масляной ванне расположены в обоих мостах и приводятся в действие двойным управляемым насосом с приоритетным делителем потока - Мультидисковый гидравлический стояночный тормоз в масляной ванне с гидравлическим управлением и автоматическим включением установлен на заднем мосту – Аварийный тормоз встроенный с рабочими тормозами.

РУЛЕВОЕ УПРАВЛЕНИЕ Гидростатическое, снабжено независимым- 3 типа рулевого управления с электрогидравлическим приводом с места водителя; 4 управляющих колеса для уменьшения радиуса разворота; «крабовый ход» для движения в ограниченном пространстве; 2 управляющих колеса для движения с большой скоростью.

РАМА Цельносварная рама из высокопрочной стали - Платформа установлена на роликовый опорный подшипник вращающийся на 270° посредством моторредуктора - Гидравлический привод подъема барабана посредством цилиндра двойного действия - Вместительная воронка – Удлиняемый разгрузочный лоток с гидравлическим приводом наклона управляется как из кабины оператора, так и с земли - с гидравлическим приводом поворота управляется из кабины оператора.

БАРАБАН Двухспиральный лопастный барабан с выпуклым дном – «двойной конус» - Люк для аварийной разгрузки и визуальной проверки - Вращение барабана обеспечивается гидростатической трансмиссией с насосом переменного объема и орбитальным мотором с редуктором - Электрогидравлическое управление из кабины и с земли - Геометрический объем барабана 3,700 л - Выход бетона за замес 3,0 м³ (класс S1) - Скорость вращения барабана 27 об/мин - Вращение платформы с барабаном на 270° - Гидравлическое поднятие барабана для ускорения выгрузки бетона

ЗАГРУЗОЧНЫЙ КОВШ Цельносварной ковш под острым наклоном для быстрой разгрузки – Действует при помощи двух гидроцилиндров двойного действия - Вместительность ковша около 500 л - Управление при помощи единого джойстика - Максимальная производительность 12м³/час.

КАБИНА ОПЕРАТОРА Полностью закрытая кабина установлена на поворотной платформе с барабаном и вращается на 270°, гарантируя оптимальную видимость как в режиме движения, так и во время всех этапов производства, загрузки и выгрузки – Регулируемое анатомическое сиденье с ремнями безопасности – Подвижный правый подлокотник с встроенным многофункциональным джойстиком, регулируется по высоте и наклону - Консоль управления из термостойкого ABS пластика с легкодоступными органами управления и информативными электронными контрольными приборами - Стеклоочиститель на переднем ветровом стекле.

ГИДРАВЛИЧЕСКАЯ СИСТЕМА С электрогидравлическим распределителем управляемым пилотной гидравликой - Аксиально-поршневой насос производительностью 37@1.000 л/мин для вращения барабана - Шестеренчатый насос производительностью 20@1.000 л/мин для питания гидрооборудования - Шестеренчатый насос производительностью 14@1.000 л/мин для рулевого управления - Фильтр гидравлической системы хода 16 µm – 2 Алюминиевых теплообменника с электровентилятором охлаждения

СИСТЕМА ВОДОСНАБЖЕНИЯ Волюметрический насос быстрого всасывания, приводимый в действие при помощи гидравлического привода, управляемого как из кабины, так и с земли - Производительность насоса 230 л/мин - Максимальное давление 3,0 бар - Резервуар с общим объемом примерно 350 л – 2 распределителя в 3 направления и кран подсоединенный к моечному шлангу - Быстрое подсоединение и отсоединение всасывающего шланга – Счетчик для воды с электронным управлением.

ЭЛЕКТРОПРОВОДКА Стартер 12 V - 3 кВт - Генератор переменного тока 12 V - 95 A - Аккумулятор 12 V - 110 Ач (ток холодного старта 900 А)

УПРАВЛЕНИЕ С ЗЕМЛИ Управление с земли счетчиком для воды и водяным насосом, поворотом барабана, поднятием/опусканием разгрузочного лотка - Кнопка аварийной остановки.

ЗАПРАВОЧНЫЕ ОБЪЕМЫ

Топливный бак	125 л
Гидравлическое масло (объем резервуара)	115 л
Масло двигателя	9,5 л
Охлаждающая двигатель жидкость	7,0 л

ШИНЫ Std 12.5/80-18 16 PR

ГАБАРИТЫ 2.260x6.850x2.840 mm (Ковш на земле)

ВЕС При движении 5.960 кг

СЕРТИФИКАЦИЯ Соответствует дорожным стардартам ЕЭС при полной загрузке



**THE RIGHT CONCRETE.
RIGHT NOW**



I - 80031 Brusciano (Na)
Tel. +39 0816588361
www.davinomixer.com - info@davinogroup.com